

INNOVA K

Divert Single Seat Valve



APPLICATION

The INNOVA K-type valve is a pneumatic divert seat valve designed for hygienic applications.

DESIGN AND FEATURES

Hygienic design according to EHEDG.

Gasket with specific profile guarantees reliability under adverse working conditions.

Hygienic design of the gasket ensures optimal cleaning.

Single-acting pneumatic actuator.

The valve can be changed to normally open (NO) by simply reversing the position of the pneumatic actuator.

Easy assembly/disassembly of internal parts by loosening a clamp fastener.

Open lantern allows visual inspection of shaft sealing.

360° adjustable body.

The valve is authorized to carry 3-A symbol. Consult the options of the valves authorized to carry 3-A symbol.

TECHNICAL SPECIFICATIONS

Materials

Parts in contact with the product	1.4404 (AISI 316L)
Other stainless steel parts	1.4301 (AISI 304)
Gaskets in contact with the product	EPDM

Surface finish

Internal	Bright polish $Ra \leq 0,8 \mu m$
External	Matt

Available sizes

DIN EN 10357 serie A (previously DIN 11850 series 2)	DN 25 - DN 100
ASTM A269/270 (corresponds to OD pipe)	OD 1" - OD 4"

Connections

Weld



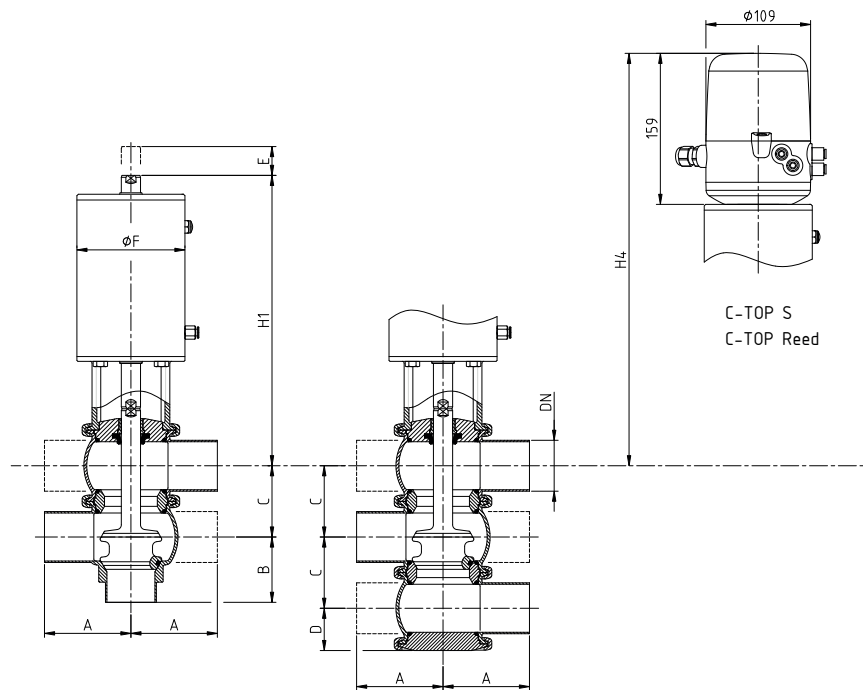
Standard Number 53-07

Operating limits

Temperature range	-10°C to 121°C	14°F to 250°F
SIP temperature	140°C (maximum 30 minutes)	284°F
Maximum working pressure	1000 kPa (10 bar)	145 PSI
Minimum working pressure	Vacuum	Vacuum
Compressed air pressure	6 - 8 bar	87 - 116 PSI

OPTIONS

Double-acting pneumatic actuator.
 Gaskets: FPM, HNBR.
 Other connection types.
 Control unit.
 External position sensors.
 Surface finish: Ra < 0,5 µm.
 Steam barrier.
 Bodies with heating jacket.

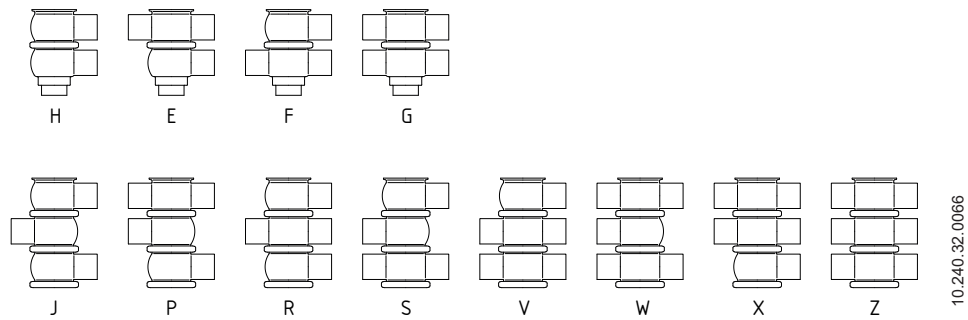
DIMENSIONS

10.240.32.0065

	DN	Pipe	A	B	C	D	E	ØF	H1	H4	kg ¹
DIN	25	29,0 x 1,50	50	50	50	32	18	87	230	376	5,0
	40	41,0 x 1,50	85	60	62	38	20	87	240	386	6,5
	50	53,0 x 1,50	90	68	74	44	26	112	302	442	10
	65	70,0 x 2,00	110	81	92	53	29	143	348	494	17
	80	85,0 x 2,00	125	90	107	60	27	143	355	501	20
OD	100	104 x 2,00	150	125	127	70	29	216	382	525	37
	1"	25,4 x 1,65	50	50	46	30	14	87	236	378	5,0
	1½"	38,1 x 1,65	85	60	59	36	17	87	245	388	6,5
	2"	50,8 x 1,65	90	68	72	43	23	112	306	443	10
	2½"	63,5 x 1,65	110	81	86	50	23	143	356	497	17
	3"	76,2 x 1,65	125	90	99	56	19	143	367	505	19
4"	101,6 x 2,11	150	125	124	69	26	216	386	526	37	

1) The weights correspond to the "H" housing combination

HOUSING COMBINATIONS



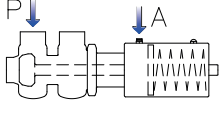
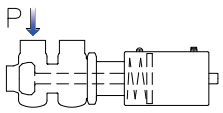
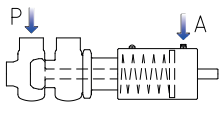
MAXIMUM PRESSURES

Maximum pressure in bar / PSI without leakage at the valve seat

Actuator/valve body combination and direction of pressure	Air pressure [bar] / [PSI]	Plug position	DN 25	DN 40	DN 50	DN 65	DN 80	DN 100
			OD 1"	OD 1½"	OD 2"	OD 2½"	OD 3"	OD 4"
	-	NC	10 / 145	5,7 / 82	5,1 / 74	5,1 / 74	4,4 / 64	4,7 / 68
	6 / 87	NC	10 / 145	7,4 / 107	4,5 / 65	5,6 / 81	4,7 / 68	10 / 145
	-	NO	10 / 145	6 / 87	6,1 / 89	6,3 / 91	5,3 / 77	5,6 / 81
	6 / 87	NO	10 / 145	8,2 / 119	5,6 / 81	5,9 / 85	5,2 / 76	10 / 145
	6 / 87	A/A	10 / 145	10 / 145	10 / 145	10 / 145	10 / 145	10 / 145
	6 / 87	A/A	10 / 145	10 / 145	10 / 145	10 / 145	10 / 145	10 / 145

Maximum pressure in bar / PSI against which the valve can open

Actuator/valve body combination and direction of pressure	Air pressure [bar] / [PSI]	Plug position	DN 25	DN 40	DN 50	DN 65	DN 80	DN 100
			OD 1"	OD 1½"	OD 2"	OD 2½"	OD 3"	OD 4"
	-	NC	10 / 145	7,9 / 115	10 / 145	9 / 131	7,6 / 110	7,7 / 111

Actuator/valve body combination and direction of pressure	Air pressure [bar] / [PSI]	Plug position	DN 25	DN 40	DN 50	DN 65	DN 80	DN 100
			OD 1"	OD 1½"	OD 2"	OD 2½"	OD 3"	OD 4"
	6 / 87	NC	10 / 145	10 / 145	10 / 145	8,6 / 125	7,7 / 111	10 / 145
	-	NO	10 / 145	7,1 / 102	10 / 145	8,3 / 121	7,1 / 102	5,4 / 78
	6 / 87	NO	10 / 145	9,1 / 132	9,7 / 141	8,4 / 121	7 / 102	10 / 145

A ≡ air

P ≡ product pressure

NC ≡ normally closed valve

NO ≡ normally open valve

A/A ≡ double acting valve

Values for standard actuators

For other pressures, bigger actuators can be assembled